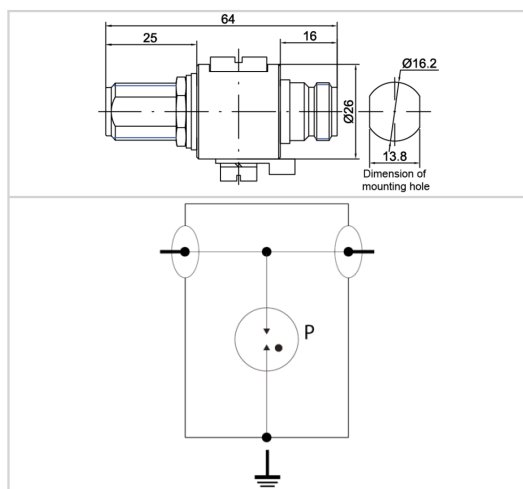


P8AX09-N/FF



- RF coaxial surge protector
- 3.5 GHz
- Connectors : N
- Low insertion loss
- Removale GDT
- DC-pass
- Bi-directional protection



Installation	
Accessories	BK
Caractéristiques Électriques	
Frequency range	f DC-3.5 GHz
Insertion loss	< 0.2 dB
Return loss	> 20 dB
Impedance	50 ohms
VSWR	<1.2:1
Max. load current	IL 10 A
Residual Current(Leakage current to Ground)	Ipe None
Operating current(Continuous current at Uc)	Ic None
Max. discharge current(max. withstand @ 8/20 µs by pole)	I _{max} 20 kA
Protection mode(s)	Common mode
Protection level (@ I _n 8/20µs)	Up < 700 V
Impulse current(2 x 10/350µs Test - D1 Category)	I _{imp} 1 kA
Nominal discharge current(8/20µs Test x 10 - C2 Category)	I _n 5 kA
Max Power	25 W
Typical let through energy(50 ohms) input 4kV 1.2/50µs - 2kA 8/20µs)	300 µJ
DC Pass	true
Insulation resistance	IR >10 GOhms
Caractéristiques Mécaniques	
Technology	Gas discharge tube
Connection to Network	connector N Female/Female
Mounting	Feedthrough
Housing material	Brass/Surface plating : Cu Zn Sn
Operating temperature	Tu -40/+85°C
Protection rating	IP66
Outdoor application	Yes
Failsafe mode	Short-circuit
Disconnection indicator	Transmission interrupt
Spare module(s)	BBHF-90V
Contacts	Bronze/Surface Au-Ag
Weight	0.135 kg
Normes	
Standards compliance	IEC 61643-21 / EN 61643-21 / UL497C / UL497E
Code article	
60011	

