

Gigabit Ethernet Fiber Optic Link

- 1000 BASE-T / 1000 BASE-X
- Transmission Distances up to 80 km
- Immune to electrical interference
- SNMP compatible



The **ViaLiteHD** Ethernet media converter provides full duplex transmission of Ethernet signals over a single fiber for distances of up to 80 km.

Available in rack chassis card or module formats, the media converter link can be housed in a standard **ViaLiteHD** 3U or 1U rack, function as a standalone unit or be integrated into existing customer equipment.

A fully populated 19" **ViaLiteHD** 3U rack supports up to 26 links and accepts 13 RF and accessory cards, plus an SNMP card and dual power modules. A 1U rack accepts three RF cards or two RF cards, plus an SNMP card.

ViaLiteHD Blue OEM modules can be used for a compact link. Yellow OEM modules allow system integrators and manufacturers to build RF/optical interfaces into their own design. A range of support modules and accessories, including indoor rack equipment and weatherproof outdoor enclosures, are also available.

Available formats

- Rack chassis cards
- Blue OEM modules
- Yellow OEM modules

Applications

- Secure data connections
- Private business networks
- Monitor and control of 3rd party equipment

Technical specification

Data performance characteristics

	Ethernet Rack Module
Data Rate	1 Gbps
Fiber Interface	Gigabit Ethernet IEEE 802.3z Full duplex, two fibers

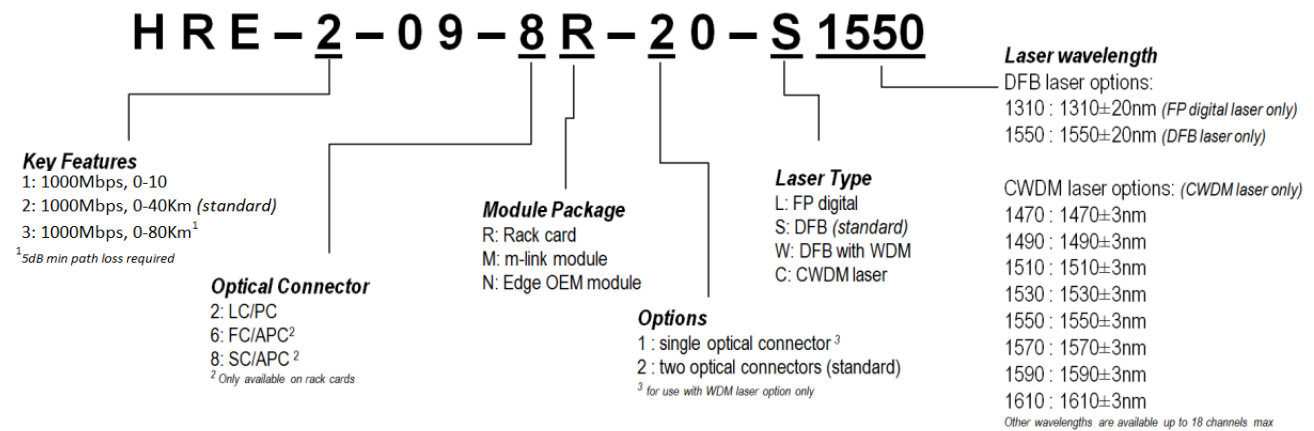
Optical performance characteristics

	Ethernet Rack Module
Laser Power Output	Class 1
Optical Wavelength	1550 nm +/- 20 nm (1310 nm/CWDM options)
Fiber Type	Single Mode 9/125 mm, Corning SMF28 or equivalent
Optical Connector	SC/APC (FC/APC optional)
Optical Path Length	0 – 10 km for 1310 nm with single mode fiber 0 – 40 km for 1550 nm with single mode fiber 0 – 80 km for 1550 nm with single mode fiber (minimum path loss 5 dB required)

Temperature characteristics

	Ethernet Rack Module
Operating Temperature	-20 °C to +50 °C
Storage Temperature	-40 °C to + 70 °C

Part numbers and options



Mechanical dimensions

