

AntaRx-AUX

Auxillary antenna compatible with the AntaRx receiver



Multi-frequency, multi-constellation GNSS antenna, in a rugged, IP69k-rated housing for robust operation in the harshest environments. This antenna is ideally suited to work in combination with the AntaRx smart antenna, for installations requiring heading.

Adding an auxiliary GNSS antenna to your receiver enables heading and pitch or heading and roll measurements without the need for movement.

KEY FEATURES

- ▶ **Full-constellation, triple-frequency satellite tracking**
- ▶ **Integrates seamlessly with AntaRx-S3 or AntaRx-Si3 smart antennas, to provide precise heading & pitch or heading & roll capability**
- ▶ **Ruggedized design**

FEATURES

Signals

GPS	L1, L2, L5
GLONASS	G1, G2, G3
Beidou	B1, B2, B3
Galileo	E1, E2, E5a, E5b, E6
L-Band (MSS)	

Polarisation

RHCP

Axial Ratio

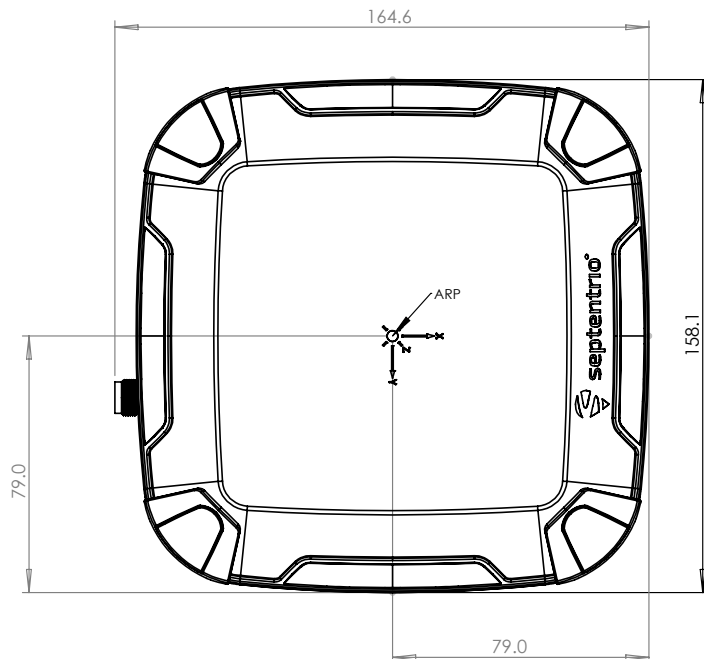
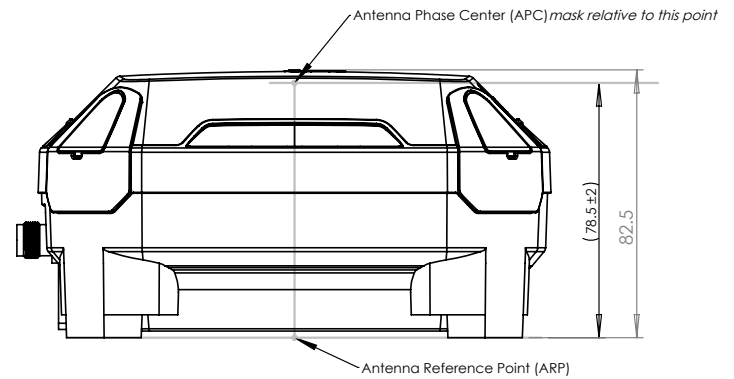
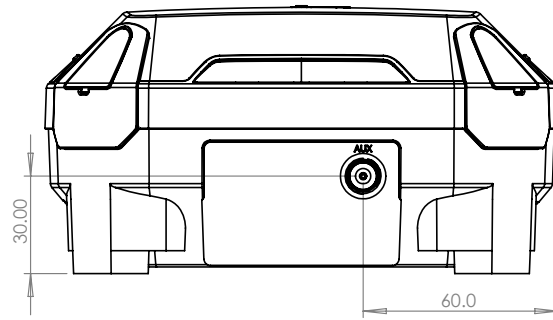
3 dB Max

Amplifier

Gain	28 ± 2 dB
Noise Figure	1.5 dB max
Input Voltage	+3 to 12 VDC
Current	50 mA (typ)
Impedance	50 Ω
VSWR	≤ 2.0:1

Physical and Environmental

Finish	White top with orange base
Weight	700 g
Size	158 x 166 x 83 mm
Connector	TNC
Temperature	-40° C to +85° C
Certification	RoHS, WEEE, ISO 9001-2015



EMEA

Greenhill Campus (HQ)
Interleuvenlaan 15i
3001 Leuven, **Belgium**

Espoo, **Finland**

Americas

Suite 200
23848 Hawthorne Blvd
Torrance, CA 90505, **USA**

septentrio.com/contact

Asia-Pacific

Shanghai, **China**
Yokohama, **Japan**
Seoul, **Korea**

septentrio.com

