

ViaLiteHD® – Blue OEM Link

Blue OEM RF over Fiber Link

- Single Tx or Rx
- External PSU
- Protective enclosure
- 50 and 75 ohm versions
- 89 x 46 x 20 mm
- **ViaLiteHD** RF bands available up to 6 GHz
- Supports link distances up to 50 km
- DIN Rail mount option

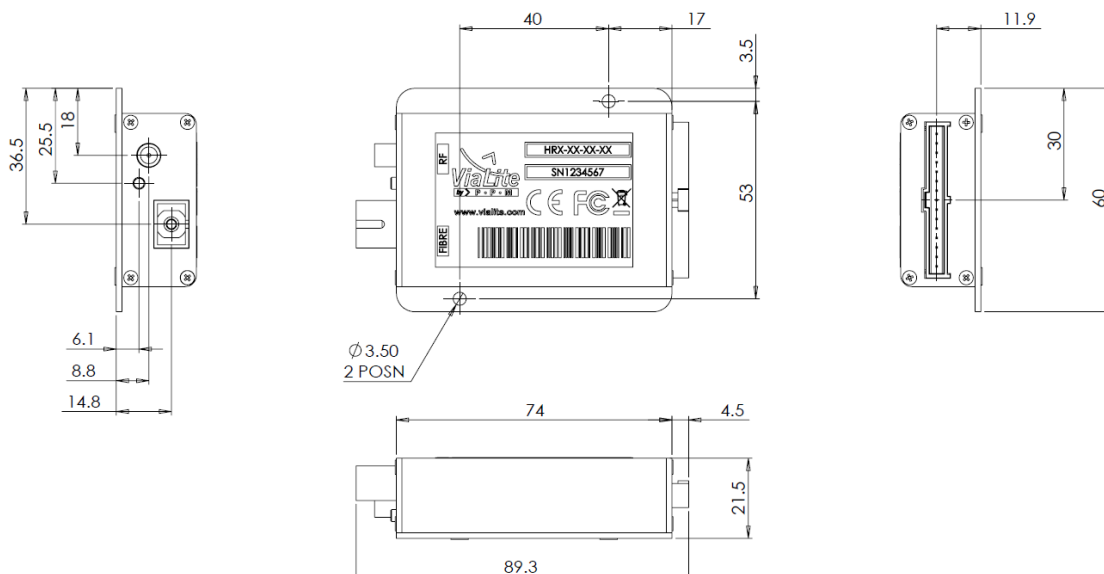


The **Blue OEM Link** is a small compact RF over fiber module which is available in **ViaLiteHD** RF bands up to 6 GHz, in either transmitter or receiver formats. The link is available with SC/APC or FC/APC optical connectors and SMA RF connectors.

The module can be used as an OEM unit, which can be easily mounted into customer equipment, or as a standalone product for temporary or permanent installation (with the use of the HPS-CS-3 external power supply if needed). The unit is supplied with a 15 pin Molex single row connector which allows connections for powering, Tx or Rx alarms, I2C setup for monitoring and control and serial data transmission such as RS232, RS485 & TTL.

By using the **ViaLiteHD** Programming Kit (HRx-HD-DEV103) module gain settings can be changed accordingly.

Mechanical dimensions (mm)



Technical Specification

	Blue OEM Link
Dimensions	With mounting bracket fitted: 89 x 60 x 21 mm Without mounting bracket fitted: 89 x 46 x 20 mm
Weight	With mounting bracket fitted: 130 g typical Without mounting bracket fitted: 112 g typical
Operating temperature	-10 °C to +60 °C
Humidity	0-95% non-condensing
Cooling	Convection
Power consumption	Transmitter: 1.9 W Receiver: 1.3 W
DC Input voltage	11 to 13 V, 12 V nominal
Connector	15 pin header (male) Molex (C-Grid III), single row (Power, Serial Data, Alarms & I2C programming)
Power supply compatibility	HPS-CS-3
RF module types	Transmitter or Receiver IF (B), DVB-T (D), GPS (G), L-Band HTS (L), General purpose (N), Wideband (S), Low Frequency Timing Link (T), Ultra Wideband (U&W)



DIN Rail Mounting Kit for Blue OEM (P/N 27500)

A DIN rail is a metal rail of an IEC/EN standard type widely used for mounting electrical equipment inside equipment racks. The DIN Rail Mounting Kit allows the **ViaLiteHD** Blue OEM to be mounted vertically and more efficiently. This approach allows custom integration into any enclosure or equipment room which has rails fitted.